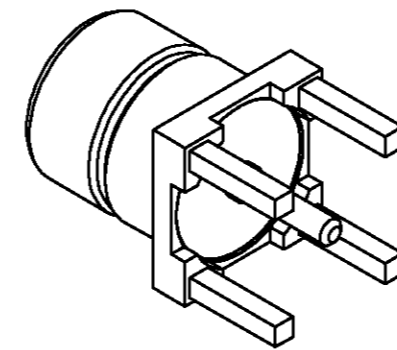


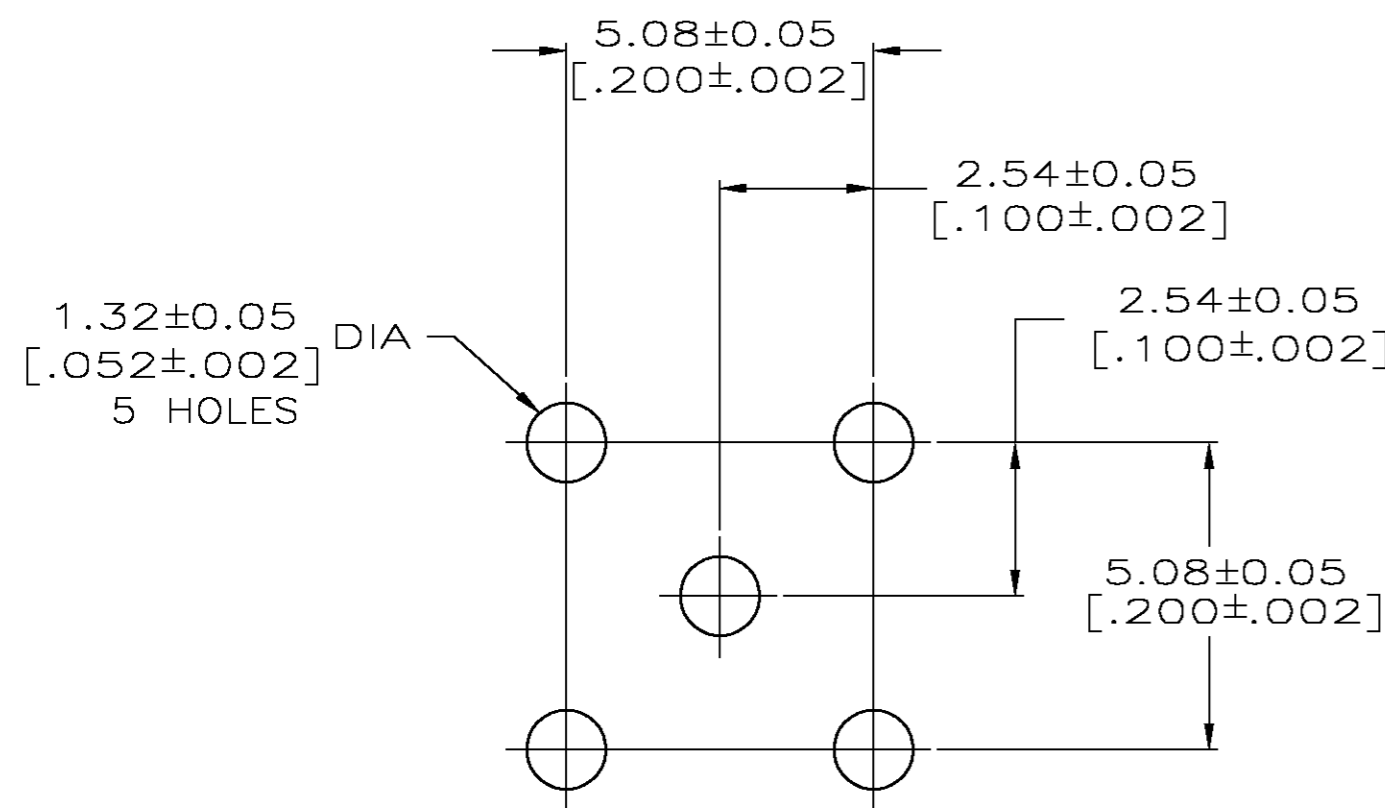
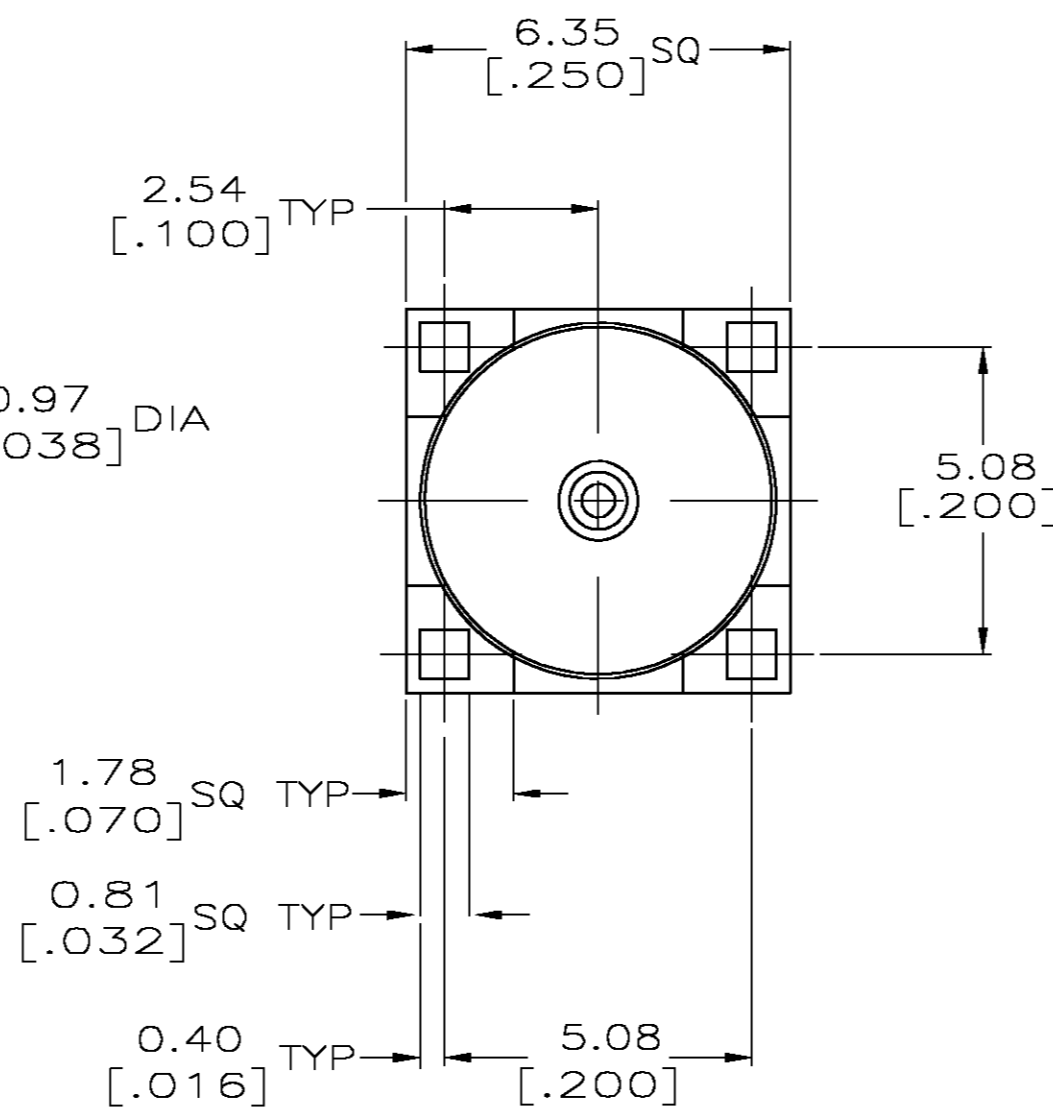
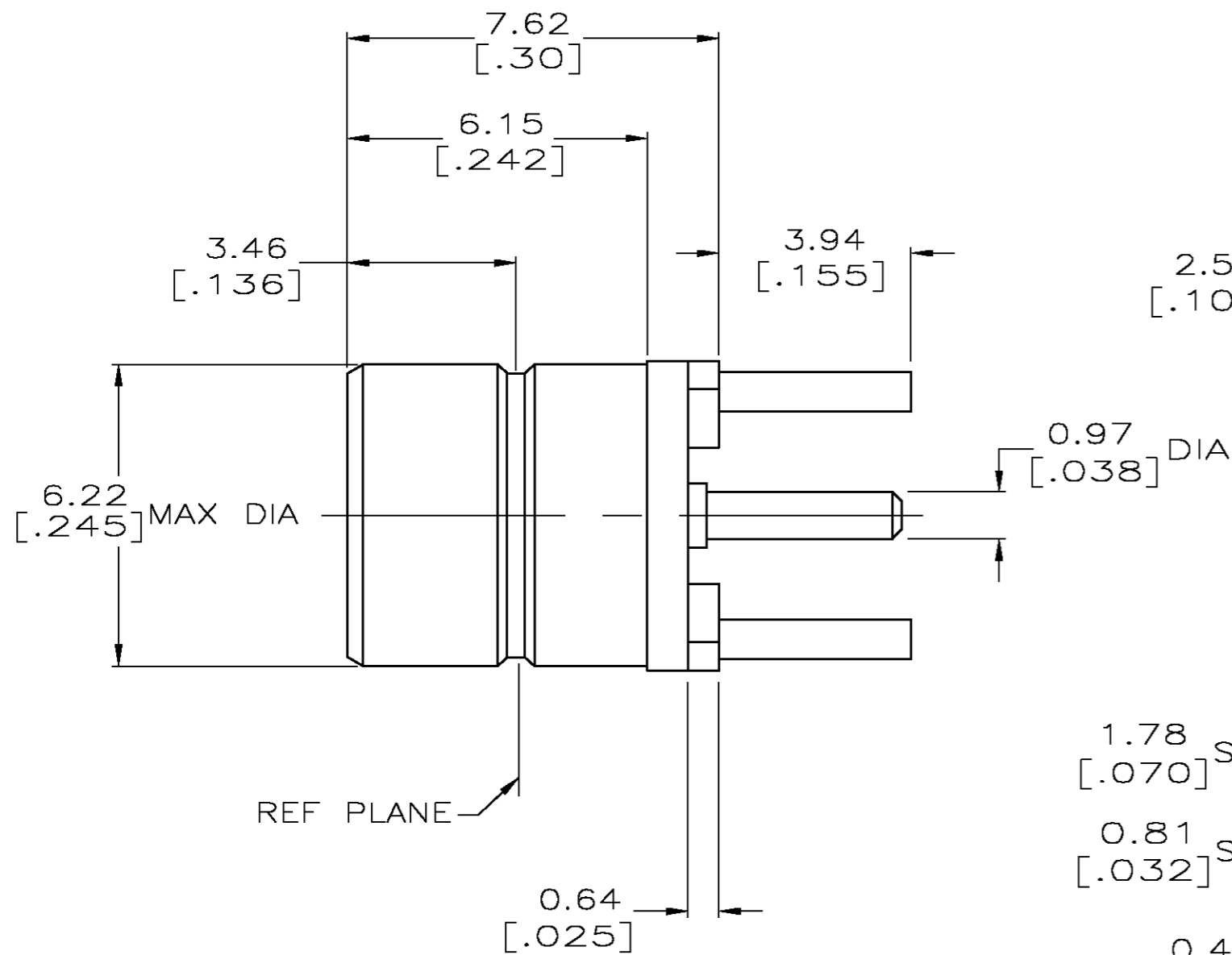
THIS DRAWING IS UNPUBLISHED. RELEASED FOR PUBLICATION
 © COPYRIGHT BY TYCO ELECTRONICS CORPORATION. ALL RIGHTS RESERVED.

LOC	DIST	REVISIONS			
P	LTR	DESCRIPTION	DATE	DWN	APVD
AJ	16	E	PER EC 0S14-0180-04	06OCT2004	JGH/JGH



ISOMETRIC VIEW

- 1 BRASS PER ASTM-B-453
- 2 TEFLON PER ASTM-D-1710
- 3 GOLD PLATE PER MIL-G-45204 OVER NICKEL PLATE PER QQ-N-290.
- 4 NICKEL PLATE PER QQ-N-290 OVER COPPER PER MIL-C-14550.
- 5 GOLD PLATE PER MIL-G-45204 .000050 MIN THK OVER NICKEL PLATE PER QQ-N-290.
- 6 TIN PLATE PER ASTM B 545.
- 7 TIN PLATE PER ASTM-B-545 .000050 MIN THK OVER NICKEL PLATE PER QQ-N-290



RECOMMENDED PCB CONFIGURATION

SUPERSEDED BY 414244-1
 SUPERSEDED BY 414244-4

—	3	7	9-414244-0
—	3	6	414244-4
—	5	5	414244-3
—	3	4	414244-2
—	3	3	414244-1
DIELECTRIC 2	CONTACT 1	BODY 1	ASSY NO
FINISH			

THIS DRAWING IS A CONTROLLED DOCUMENT.		DWN	1/6/92	Tyco Electronics Corporation	
DIMENSIONS: INCHES		K. RIELY		Harrisburg, PA 17105-3608	
TOLERANCES UNLESS OTHERWISE SPECIFIED:		CHK	1/6/92	NAME	
0 PLC ± -		G. MICHAEL		JACK,RCPT,STR,SMB/PCB	
1 PLC ± -		APVD	01-07-92	SIZE	CAGE CODE
2 PLC ± 0.25[.01]		K. HEILIG		A2	00779
3 PLC ± 0.130[.005]		PRODUCT SPEC		DRAWING NO	RESTRICTED TO
4 PLC ± -		APPLICATION SPEC		C=414244	—
ANGLES ± -		—		SCALE	SHEET
FINISH	SEE TABLE	WEIGHT	—	8:1	1 OF 1
MATERIAL	SEE TABLE	CUSTOMER DRAWING		REV	E